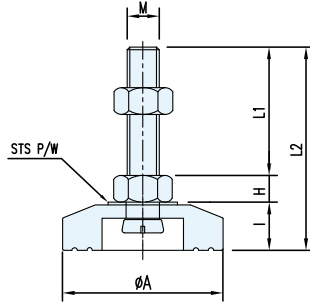


# KL-F07-MZ/MZS Series

중·고하중용 - Medium & Heavy duty purpose



**제품특징 Feature**

아연가공품, 부식방지, STS 대체품  
(Zinc-processed products, Corrosion protection, Stainless steel replacement)

**적용범위 Application**

컨베이어, 자동화설비, 반도체장비, 디스플레이설비, 이차전지설비  
(Conveyor, Automation facilities, Semiconductor equipment, Display equipment, Secondary battery equipment)

## 규격 - Dimension & Material

Unit: mm

Model	Dimension (mm)						Road (Kg/4EA)	Material		Treatment
	M	L1	L2	H	I	ØA		Bolt & Nut	Cup	
KL-F07-MZ (Steel) KL-F07-MZS (STS)	M12x1.75	75	102	8	19	Ø53	1,000	S10C STS304	Zn	Ni Natural
		100	127							
		125	152							
		150	177							
		75	104							
		100	129							
		125	154							
	M16x2.0	150	179	10	21	Ø64	2,000			
		50	79							
		75	104							
		100	129							
		130	159							
		150	179							
		180	209							
		200	229							
		250	279							
		45	80		25	Ø78				
	70	105								
	100	135								
	125	160								
	150	185								
M20x2.5	180	215	13	21	Ø64	3,000				
	200	235								
	250	285								
	100	134								
	125	164								
	150	184								
	180	214								
	200	234								
	250	284								
	100	138		25	Ø78					
130	168									
150	188									
180	218									
200	238									
250	288									

\* 기타 특수사양은 주문제작함 (Particular case is Made-To-Order)