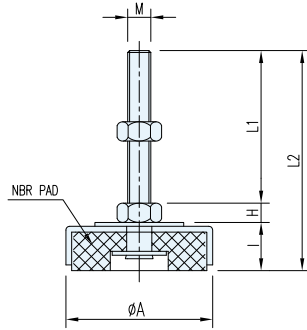


# KL-F04-V/VS Series

경하중용, 방진용 - Light load, Chshioning type



- 제품특징 Feature**  
 저가형, 경량용, 방진용  
 (Competitive price, Light load, Chshioning type)
- 적용범위 Application**  
 컨베이어, 자동화설비, 오락기, 자동판매기  
 (Conveyor, Automation facilities, Game machine, Vending machine)

## 규격 - Dimension & Material

Unit: mm

Model	Dimension (mm)						Road (Kg/4EA)	Material		Treatment
	M	L1	L2	H	I	ØA		Bolt & Nut	Cup	
KL-F04-V (Steel) KL-F04-VS (STS)	M6x1.0	40	61	6	15	Ø30	100	S10C	SPC	Ni
	M8x1.25	40	61				200			
		80	101							
	M6x1.0	40	63				7			
		M8x1.25	40	63	200					
	80		103							
	M10x1.5	60	84.5	7	17.5	Ø50				
		100	124.5	8			500			
		70	95.5							
	M12x1.75	100	125.5	8	17.5	Ø50				
		130	155.5							
		70	97.5							
	M16x2.0	100	127.5	10	18.5	Ø60	700			
		130	157.5							
		70	96.5							
	M12x1.75	100	126.5	8	18.5	Ø60	600			
		130	156.5							
		150	176.5							
		70	98.5							
		100	128.5							
M16x2.0	130	158.5	10	18.5	Ø60	800				
	150	178.5								
	180	208.5								
	200	228.5								
	250	278.5								
M20x2.5	100	131.5	13	20	Ø70	1,000				
	130	161.5								
	150	181.5								
	180	211.5								
	200	231.5								
M16x2.0	250	281.5	10	20	Ø70	900				
	70	100								
	100	130								
	130	160								
	150	180								
	180	210								
M20x2.5	200	230	13	20	Ø70	1,200				
	250	280								
	100	133								
	130	163								
	150	183								
M20x2.5	180	213	13	20	Ø70	1,200				
	200	233								
	250	283								
	100	133								

\* 기타 특수사양은 주문제작함 (Particular case is Made-To-Order)