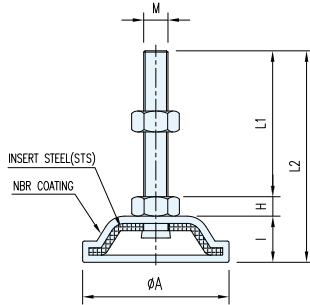


KL-F02-L/LS Series

경하중용, 방진용 - Light load, Chshioning type



- 제품특징 Feature**
 경하중, 방진용
 (Light load, Chshioning type)
- 적용범위 Application**
 컨베이어, 공작기계, 경하중용 설비
 (Conveyor, Construction machine, Light duty equipment)

규격 - Dimension & Material

Unit: mm

Model	Dimension (mm)						Road (Kg/4EA)	Material		Treatment
	M	L1	L2	H	I	ØA		Bolt & Nut	Cup	
KL-F02-L [Steel] KL-F02-LS [STS]	M6x1.0	40	62	6	16	Ø40	100	S10C STS304	SPC STS304	Ni Natural
		80	102							
	M8x1.25	60	91	7	24	Ø55	300			
		100	131							
	M12x1.75	75	108	8	25	Ø68	600			
		100	133							
		125	158							
		150	183							
	M16x2.0	50	90	10	30	Ø82	800			
		75	115							
		100	140							
		130	170							
150		190								
180		220								
200		240								
250		290								
M20x2.5	100	133	13			1,000				
	130	163								
	150	183								
	180	213								
	200	233								
	250	283								

* 기타 특수사양은 주문제작함 (Particular case is Made-To-Order)