

KD-C16-1/2 Series

경량형 정밀우레탄 - Light loads Precision polyurethane

KD-C16-1: Steel / KD-C16-2: STS



- 허용 하중 Allowable load
270~1,050Kg/4ea
- 사용 온도 Temperature
-10 ~ 90° C

표기법 - Ordering Code

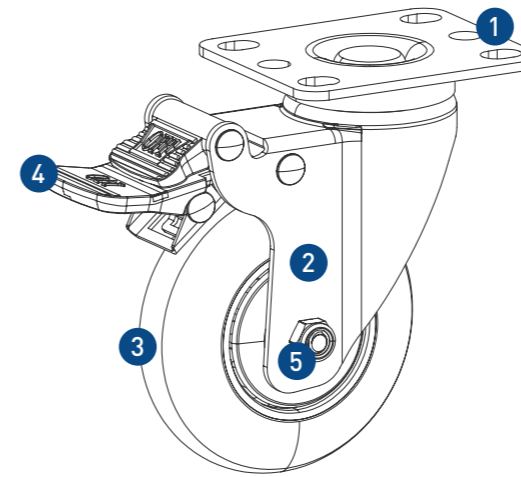
KD-C16	1	100	SF	B
Caster Series	Function No. 1 : Steel 2 : STS	Serial Number	• SF : Swivel Flange • RF : Rigid Flange	• B : Brake

특징 - Features

- 무소음, 바닥손상이 없음
No noise, no floor damage
- 이중 Ball race way 구조
Double ball race way construction
- 구름성, 선회력 우수
Excellent rotational roll, turning power

용도 - Application

- 경량형 운반대 및 카트
Lightweight transporter and cart
- 의료기기 및 병원용 침대
Bed for medical equipment and hospital



재질 & 표면처리 - Material & Treatment

NO.	재질	표면처리
① 상판(Top Plate)	SPC (STS)	Zinc Plating (MFZN) (-)
② 몸체(Body)	SPC (STS)	Zinc Plating (MFZN) (-)
③ 바퀴(Wheel)	Poly Urethane + PC	Transparent
④ 브레이크(Brake)	TPA	Light Gray
⑤ 핀(Pin)	Swrch10A/S45C (STS)	Zinc Plating (MFZN) (-)

규격 - Dimension

KD-C16-1: Steel / KD-C16-2: STS

Unit: mm

Model	자중 (Net Weight) Kg	Kg		W		HOLE			H			M		Y
		1EA	4EA	Ø	W	F	F1	Hole	H	L	O	M		
KD-C16-1-40SF	0.1	20	60	Ø40	18	45x38	34x27	Ø5.2	53.5	62.5	20	-	-	
KD-C16-1-40SFB	0.11									83.5	20			
KD-C16-1-40RF	0.08									45	-			
KD-C16-1-40SS	0.09									56	20			
KD-C16-1-40SSB	0.1	25	75	Ø50	18	45x38	34x27	Ø5.2	64.5	77	20	M8	15	
KD-C16-1-50SF	0.11									67.5	20			
KD-C16-1-50SFB	0.12									86.5	20			
KD-C16-1-50RF	0.08									50	-			
KD-C16-1-50SS	0.1	30	90	Ø63.5	23	70x58	53x40	Ø8x11 (slot hole)	90.5	60.5	20	M8	15	
KD-C16-1-50SSB	0.11									80	20			
KD-C16-1(2)-64SF	0.37									93	26.5			
KD-C16-1(2)-64SFB	0.43									124.5	26.5			
KD-C16-1(2)-64RF	0.22	35	105	Ø76	23	70x58	53x40	Ø8x11 (slot hole)	105	70	-	M12	25	
KD-C16-1(2)-64SS	0.33									80.5	26.5			
KD-C16-1(2)-64SSB	0.39									111.5	26.5			
KD-C16-1(2)-76SF	0.41									100	27			
KD-C16-1(2)-76SFB	0.46	40	120	Ø98	23	70x58	53x40	Ø8x11 (slot hole)	127	124.5	27	-	-	
KD-C16-1(2)-76RF	0.25									76	-			
KD-C16-1(2)-76SS	0.37									88.2	27			
KD-C16-1(2)-76SSB	0.43									111.5	27			
KD-C16-1(2)-100SF	0.51	45	135	Ø123	23	70x58	53x40	Ø8x11 (slot hole)	155	111	27	M12	25	
KD-C16-1(2)-100SFB	0.57									132.8	27			
KD-C16-1(2)-100RF	0.36									98	-			
KD-C16-1(2)-100SS	0.48									98.2	27			
KD-C16-1(2)-100SSB	0.53	159.6	-	-	-	-	-	-	131.6	120	27	M12	25	
KD-C16-1(2)-125SF	0.61									124	27.5			
KD-C16-1(2)-125SFB	0.68									132.8	27.5			
KD-C16-1(2)-125RF	0.48									123	-			
KD-C16-1(2)-125SS	0.58	45	135	Ø123	23	70x58	53x40	Ø8x11 (slot hole)	155	123	27.5	M12	25	
KD-C16-1(2)-125SSB	0.65									131.8	27.5			