

# KD-C05-1 Series

저상형 캐스터 - Low height caster



- 허용 하중 Allowable load  
1,200~1,500Kg/4ea
- 사용 온도 Temperature  
-10 ~ 90° C

## 표기법 - Ordering Code

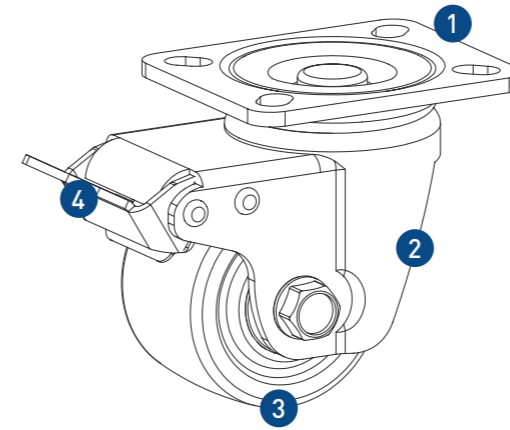
<b>KD-C05</b>	<b>1</b>	<b>63</b>	<b>SF</b>	<b>B</b>
Caster Series	Function No.	Serial Number	<ul style="list-style-type: none"> <li>• SF : Swivel Flange</li> <li>• RF : Rigid Flange</li> </ul>	<ul style="list-style-type: none"> <li>• B : Brake</li> </ul>

## 특징 - Features

- 저상형 캐스터  
Low height caster
- 베어링사용, 회전성/구름성 우수  
Use of bearings, excellent rotatory performance
- 중, 고하중용  
For medium and high loads

## 용도 - Application

- 반도체/디스플레이 제조장비  
Semiconductor/display equipment
- 통신장비 및 금융기기  
Communication and financial equipment
- 생산설비 및 운반장비  
Production and Transportation Equipment



## 재질 & 표면처리 - Material & Treatment

NO.	재질	표면처리
① 상판(Top Plate)	SPC	Black Coated
② 몸체(Body)	SPC	Black Coated
③ 바퀴(Wheel)	HDP	Black
④ 브레이크(Brake)	ABS	Black

## 규격 - Dimension

Unit: mm

Model	자중 (Net Weight)	Kg		Ø	W	F			Slot Hole	H	L	O
		1EA	4EA			F1	F2					
KD-C05-1-63RF	0.96										107	
KD-C05-1-63SF	1.2	400	1,200	Ø63		107x82	80x60	73x53		96	111.5	26.5
KD-C05-1-63SFB	1.5										152	26.5
KD-C05-1-75RF	1.03				50				Ø11x16L		107	
KD-C05-1-75SF	1.36	500	1,500	Ø75		107x82	80x60	73x53		108	121.5	30.5
KD-C05-1-75SFB	1.66										162	30.5