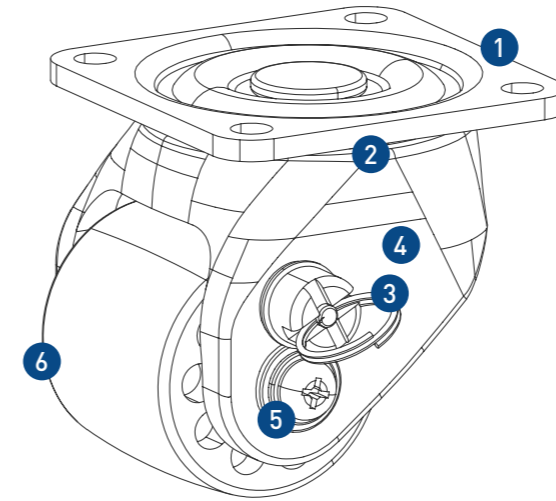


KD-C04-1 Series

저상형 캐스터 - Low height caster



- 허용 하중 Allowable load
1,700~2,100Kg/4ea
- 사용 온도 Temperature
-10 ~ 90° C



재질 & 표면처리 - Material & Treatment

NO.	재질	표면처리
① 상판(Top Plate)	SPC/S45C	Powder Coated
② 강구(Ball)	STB2	-
③ 브레이크(Brake)	S45C	Zinc Plating (MFZN)
④ 몸체(Body)	ALDC12	Ivory/Powder Coated
⑤ 핀(Pin)	Swrch10A/S45C	Zinc Plating (MFZN)
⑥ 바퀴(Wheel)	PA6	Black

* Wheel Option: Poly urethane & MC Nylon by order

표기법 - Ordering Code

KD-C04	1	60	F	B
Caster Series	Function No.	Serial Number	<ul style="list-style-type: none"> • F : Flange • S : Stem 	<ul style="list-style-type: none"> • B : Brake

특징 - Features

- 높이 제한이 있는 장비
height-limited equipment
- 베어링사용, 회전성/구름성 우수
Use of bearings, excellent rotatory performance
- 우레탄 휠은 크린룸에 적합
Urethane wheels are suitable for clean rooms

용도 - Application

- 반도체/디스플레이 제조장비
Semiconductor/display equipment
- 통신/실험/의료장비
Communications/tests/medical equipment
- 프로파일 프레임장비 등
Profile Frame Equipment/etc.

규격 - Dimension

Unit: mm

Model	자중 (Net Weight)	Kg		Ø	W	F	F1	Hole	Tap	X	Y	H	L	O
		1EA	4EA											
KD-C04-1-60F	0.78	550	1,700	Ø60	55	90x90	70x70	Ø9	-	-	-	90	100	25
KD-C04-1-60FB	0.92	550	1,700											
KD-C04-1-60S	0.89	550	1,700	Ø60	55	-	-	-	M12 (M16)	69	65	90	93.5	25
KD-C04-1-60SB	0.93	550	1,700											
KD-C04-1-75F	1.06	700	2,100	Ø75	55	90x90	70x70	Ø9	-	-	-	108	107.5	25
KD-C04-1-75FB	1.1	700	2,100											
KD-C04-1-75S	1.24	700	2,100	Ø75	55	-	-	-	M12 (M16)	69	65	108	101	25
KD-C04-1-75SB	1.28	700	2,100											
KD-C04-1-75F-11	1.08	700	2,100	Ø75	55	95x95	70x70	Ø11	-	-	-	108	110	25

* By order made: KD-C04-1-75F-11(wide plate)