

# KD-C01-2 Series

높낮이조절 캐스터 - High and low adjustment caster



- 허용 하중 Allowable load  
500~2,000Kg/4ea
- 사용 온도 Temperature  
-10 ~ 90° C

## 표기법 - Ordering Code

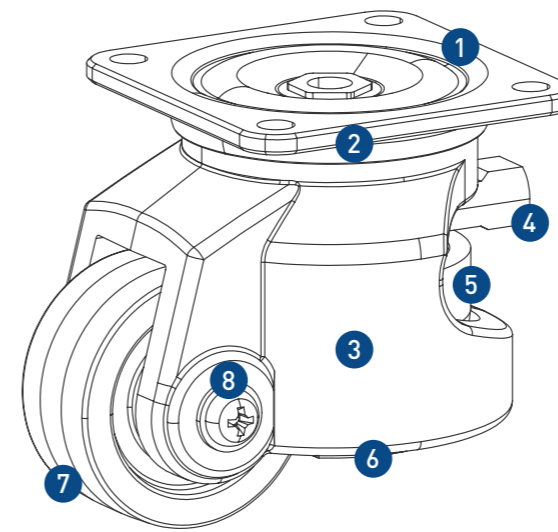
<b>KD-C01</b>	<b>2</b>	<b>100</b>	<b>F</b>	<b>M</b>
Caster Series	Function No.	Serial Number	<ul style="list-style-type: none"> <li>• F : Flange</li> <li>• S : Stem</li> </ul>	<ul style="list-style-type: none"> <li>• Blank : Nylon</li> <li>• M : MC Nylon</li> <li>• U : Polyurethane</li> </ul>

## 특징 - Features

- 높낮이 조절, 방진 기능  
Adjustable height, anti-vibration
- 손쉬운 이동, 고정성  
Easy moving, fixing
- 360도 회전기능 일체화  
Integrated 360° rotation capability

## 용도 - Application

- 반도체/디스플레이 제조장비  
Semiconductor/display equipment
- 공작기계/ATM장비, 캐비닛  
Machine tool/ATM equipment, cabinet
- 프로파일 프레임장비 등  
Profile Frame Equipment/etc.



## 재질 & 표면처리 - Material & Treatment

NO.	재질	표면처리
① 상판(Top Plate)	SPC & S45C	Powder Coated
② 강구(Ball)	STB2	-
③ 몸체(Body)	ALDC12	Ivory/Powder Coated
④ 핸들(Handle)	ALDC12	Zinc Plating (MFZN)
⑤ 레벨러(Leveler)	Swrch10A/ S45C	Zinc Plating (MFZN)
⑥ 패드(Pad)	60~100	NBR
	120	PA6
⑦ 바퀴(Wheel)	PA6	Black
⑧ 핀(Pin)	Swrch10A/ S45C	Zinc Plating (MFZN)

\* Wheel Option: Poly urethane & MC Nylon by order

## 규격 - Dimension

Unit: mm

Model	자중 (Net Weight)	Kg		Ø	W	F	F1	HOLE	TAP	X	Y	H+	L	O
		1EA	4EA											
KD-C01-2-60F	0.67	250	500	Ø50	25	73x73	58x58	Ø7(Ø8.5)	-	-	-	82+10	97.5	36
KD-C01-2-60S	0.62					-	-	-	M12 (M16)	53	49			
KD-C01-2-80F	1.19	500	1,000	Ø62	28	90x90	70x70	Ø9	-	-	-	103+15	122	46
KD-C01-2-80S	1.11					-	-	-	M12 (M16)	69	65			
KD-C01-2-100F	1.65	750	1,500	Ø75	30	95x95	70x70	Ø11	-	-	-	120+12	138	53
KD-C01-2-100S	1.55					-	-	-	M16	69	65			
KD-C01-2-120F	1.65	1,000	2,000	Ø75	30	95x95	70x70	Ø11	-	-	-	120+12	138	53
KD-C01-2-120S	1.55					-	-	-	M16	69	65			