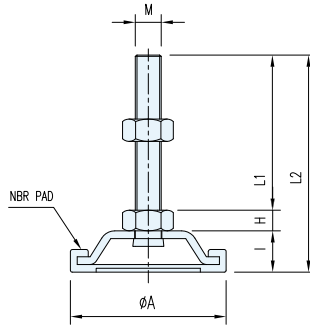


KL-F01-PR/PSR Series

경하중용, 미끄럼 방지용 - Light load, Anti-slip



- 제품특징 Feature**
 경량용, 미끄럼 방지 패드 적용
 (Light load, user anti-slip pad)
- 적용범위 Application**
 컨베이어, 공작기계, 경하중용 설비
 (Conveyor, Construction machine, Light duty equipment)

규격 - Dimension & Material

Unit: mm

Model	Dimension (mm)						Road (Kg/4EA)	Material		Treatment
	M	L1	L2	H	I	ØA		Bolt & Nut	Cup	
KL-F01-PR [Steel] KL-F01-PSR [STS]	M6x1.0	40	59	6	13	Ø40	100	S10C	SPC	Ni
	M8x1.25	40	59				200			
		80	99	300						
	M10x1.5	60	87		7	17	Ø55			
		100	127							
		70	98							
	M12x1.75	100	128	8	21	Ø68	700			
		130	158							
		150	178							
		70	99							
	M12x1.75	100	129	10	23	Ø80	800			
		130	159							
		150	179							
		70	99							
	M16x2.0	50	81	13	29	Ø100	1,000			
		70	101							
		100	131							
		130	161							
		150	181							
	M16x2.0	50	83	13	29	Ø100	1,500			
70		103								
100		133								
130		163								
150		183								
180		213								
200		233								
250		283								
300	333									
M20x2.5	100	136	13	29	Ø100	1,500				
	130	166								
	150	186								
	180	216								
	200	236								
	250	286								
M20x2.5	100	142	13	29	Ø100	1,500				
	130	172								
	150	192								
	180	222								
	200	242								
	250	292								
M20x2.5	300	342	13	29	Ø100	1,500				
	100	142								
	130	172								
	150	192								

* 기타 특수사양은 주문제작함 (Particular case is Made-To-Order)